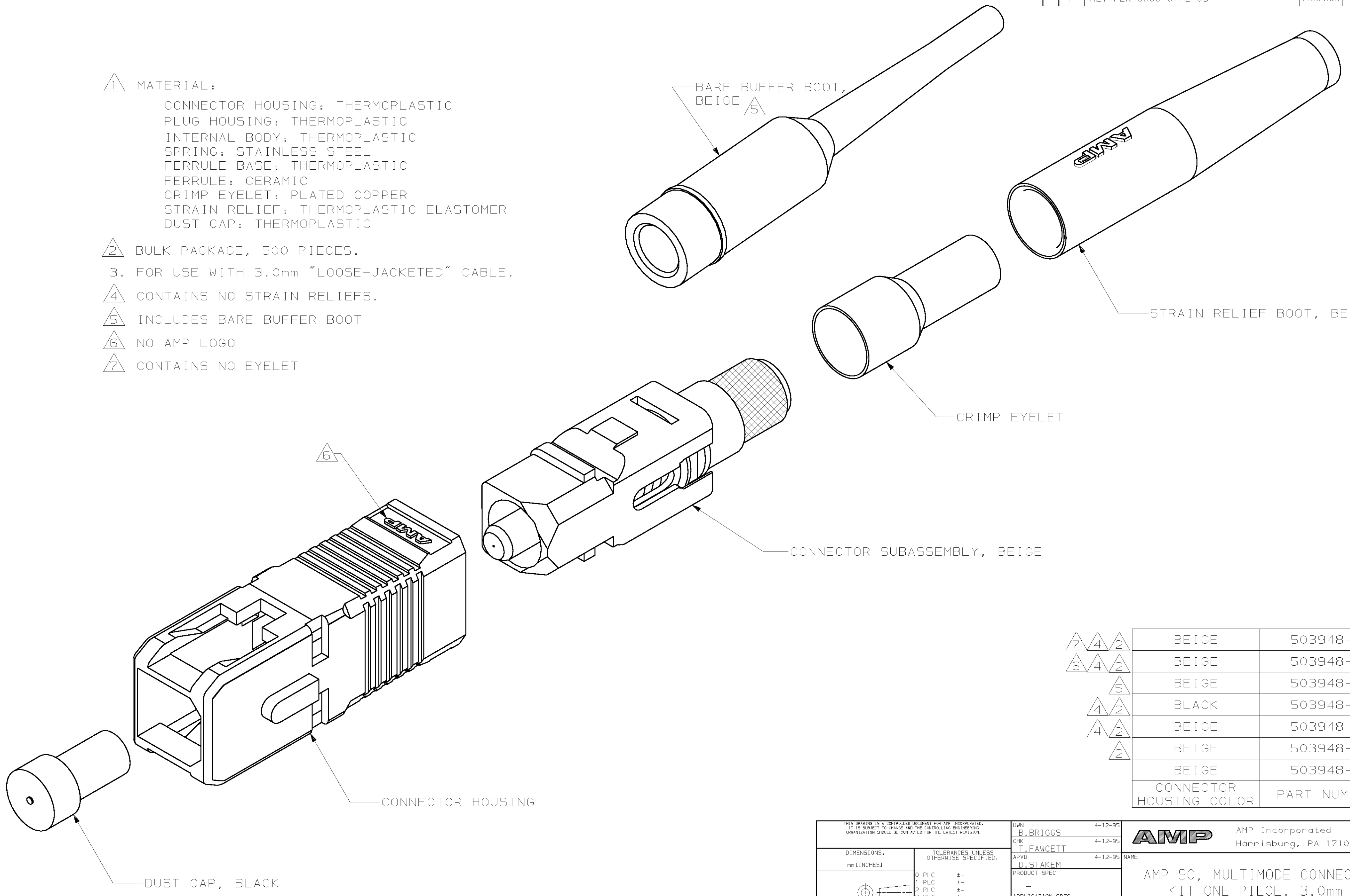


THIS DRAWING IS UNPUBLISHED. RELEASED FOR PUBLICATION .19
 (C) COPYRIGHT 19 BY AMP INCORPORATED. ALL RIGHTS RESERVED.

LOC	DIST	REVISIONS			
P	LTR	DESCRIPTION	DATE	DWN	APVD
CE	16	H	REV PER 0A00-0172-03	23APR03	DE SB

- 1 MATERIAL:
 CONNECTOR HOUSING: THERMOPLASTIC
 PLUG HOUSING: THERMOPLASTIC
 INTERNAL BODY: THERMOPLASTIC
 SPRING: STAINLESS STEEL
 FERRULE BASE: THERMOPLASTIC
 FERRULE: CERAMIC
 CRIMP EYELET: PLATED COPPER
 STRAIN RELIEF: THERMOPLASTIC ELASTOMER
 DUST CAP: THERMOPLASTIC
- 2 BULK PACKAGE, 500 PIECES.
 3. FOR USE WITH 3.0mm "LOOSE-JACKETED" CABLE.
 4 CONTAINS NO STRAIN RELIEFS.
 5 INCLUDES BARE BUFFER BOOT
 6 NO AMP LOGO
 7 CONTAINS NO EYELET



7 4 2	BEIGE	503948-7
6 4 2	BEIGE	503948-6
5	BEIGE	503948-5
4 2	BLACK	503948-4
4 2	BEIGE	503948-3
2	BEIGE	503948-2
	BEIGE	503948-1
	CONNECTOR HOUSING COLOR	PART NUMBER

<small>THIS DRAWING IS A CONTROLLED DOCUMENT FOR AMP INCORPORATED. IT IS SUBJECT TO CHANGE AND THE CONTROLLING ENGINEERING ORGANIZATION SHOULD BE CONTACTED FOR THE LATEST REVISION.</small>		DWN B.BRIGGS 4-12-95 CHK I.FAWCETT 4-12-95 APVD D.STAKEM 4-12-95	AMP AMP Incorporated Harrisburg, PA 17105-3608
DIMENSIONS: mm (INCHES)	TOLERANCES UNLESS OTHERWISE SPECIFIED: 0 PLC ±- 1 PLC ±- 2 PLC ±- 3 PLC ±- 4 PLC ±- ANGLES ±- FINISH -	NAME PRODUCT SPEC APPLICATION SPEC WEIGHT	AMP SC, MULTIMODE CONNECTOR KIT ONE PIECE, 3.0mm SIZE A2 CAGE CODE 00779 DRAWING NO C-503948
MATERIAL 1		CUSTOMER DRAWING	SCALE NTS SHEET 1 OF 1 REV H

503948
 50305